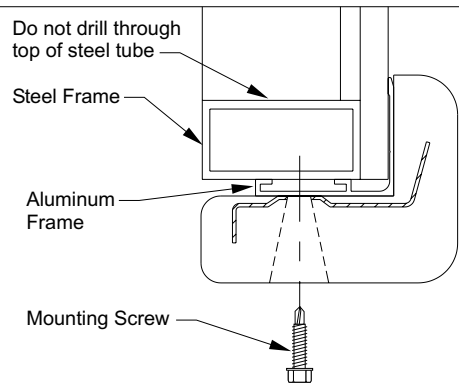


# Backboard Pad Mounting Instructions

## Acrylic Backboard

1. Use the Backboard Pads as a template and mark the hole locations on the backboard frame.
2. Drill 1/8" pilot holes through the aluminum backboard frame and into steel backboard frame.
3. Secure Backboard Pads using screws provided. **Note: Power screw driver recommended for screw installation. Do not over tighten screws.**



## Glass Backboard

1. Use the Backboard Pads as a template and mark the hole locations on the backboard frame.
2. Drill 1/8" pilot holes completely through the aluminum backboard frame.
3. Secure Backboard Pads using screws provided. **Note: Power screw driver recommended for screw installation. Do not over tighten screws.**

